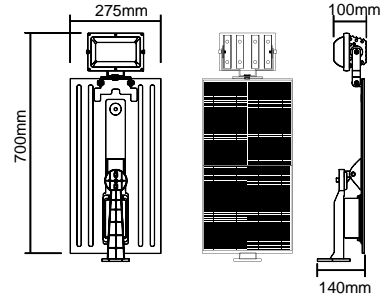




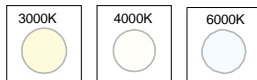
SR-1010

Power: 10W
 Luminous Flux: 630lm(6000K)
 Luminous Efficacy: 63lm/W(6000K)
 Beam Angle: 120°
 Lighting Duration: 17hrs*1
 Time to fully charged: 7~8hrs*2
 Battery: 7.4V 15Ah
 Solar Panel: 20W
 Luminaire Material: Aluminum
 Weight: 4.7kg/10.36lb
 Operating Temperature: -42°C~+50°C, -44°F~+122°F
 Warranty: 5 years



IP65

Color Temperature

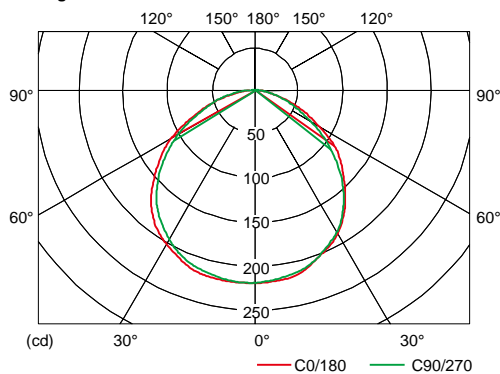


Battery Specification

Nominal Capacity	15000mAh
Cycle Life	1000 times
Maximum Charge/ Discharge Current	7500mA
Standard Discharge Current	1350mA
Nominal Voltage	7.4V
Max Charge Voltage	8.4V
Discharge Cut-off Voltage	6.0V
Overcharge Detection Voltage	4.25V±0.05V
Overdischarge Detection Voltage	3.0V±0.05V
Relative humidity	10%~90%

Note: *1The duration refers to the time for which the luminaire could work continually with the battery fully charged.
 *2 The time refers to the duration in which the battery could be fully charged under the effective illumination of the solar panel.

Light Distribution Curve



Illuminance Distribution

1	213	284
2	53	567
3	24	851
4	13	1134
5	9	1418
H (m)	E (lx)	D (cm)